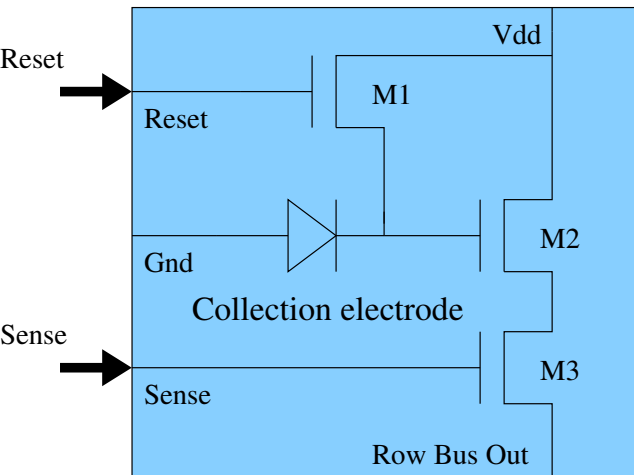
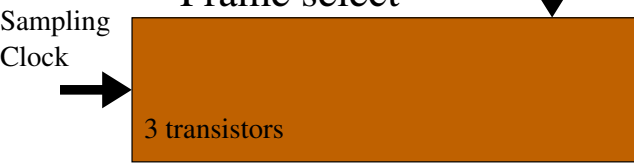


Basic 3 transistor cell



Frame select



Pipelined 5 deep storage cells

